

CATEGORY

SMALL Ø SIZE

# 66 mm Base Tube Diameter

PRODUCT CODES: CP 54 - CP 56

INTERNAL CABLE POSSIBLE? **No**

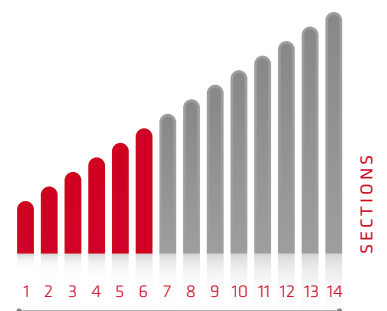
**Prior to selecting equipment, it would be useful if you could obtain the following information...**

- Required mast height when extended
- Required mast height when retracted
  
- Headload weight
- Headload dimensions
- Headload shape
  
- Mast deployment location (+ anticipated weather conditions)
- Ground conditions/Terrain
- Guying assembly requirements
- Mast deployment method
- Transportation method (i.e. vehicle size and type)
  
- Cabling requirements

This mast has a diameter of 66mm. The extended heights are from 3m up to 9m and the mast can be equipped with a hand pump.

There is a clamp built in to each collar for semi-permanent extensions and to prevent turning of the sections.

The mast head has a Ø24mm quick release female socket connection for mounting a variety of headloads.



SECTIONS

APPLICATIONS

**PORTABLE MASTS**

**66mm Base Tube Diameter**

TECHNICAL LAYOUT

PRODUCT CODES: CP 54 - CP 56

A (mm)

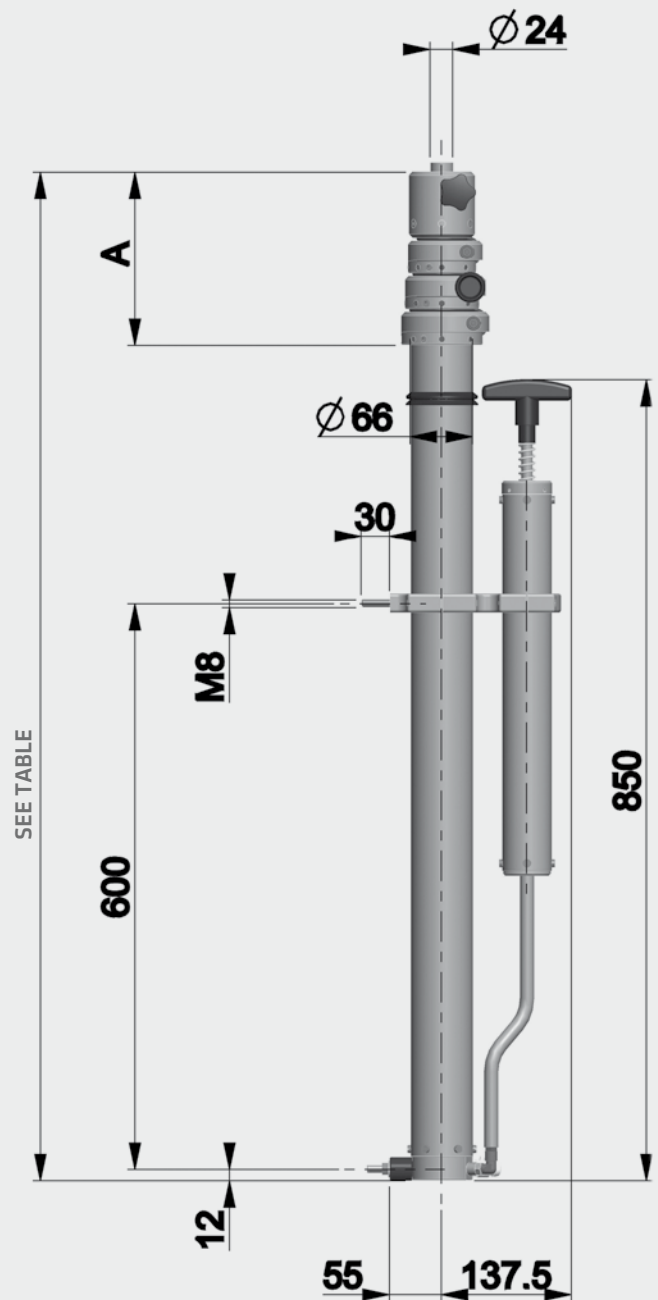
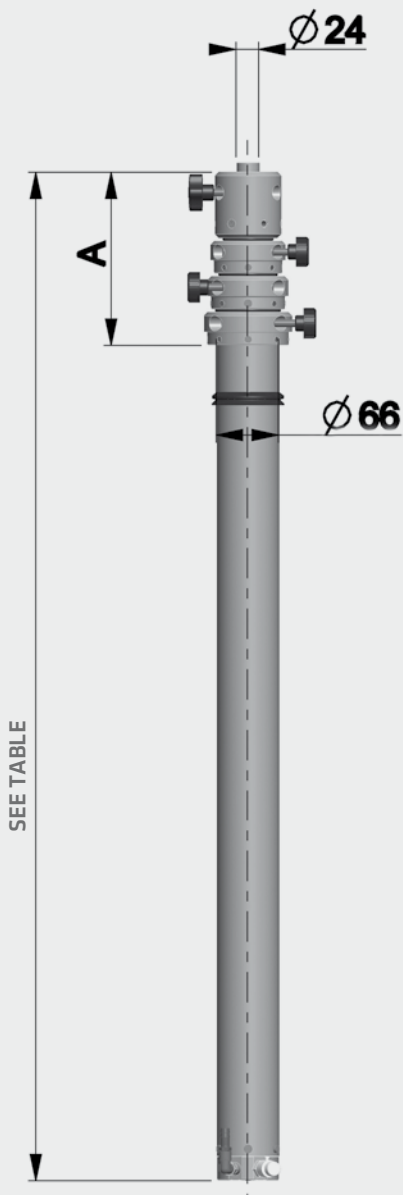
4 sections 184

6 sections 260

INTERNAL CABLE POSSIBLE? **No**

**TYPE P** (EXTENDED MANUALLY, BY COMPRESSOR OR SEPARATE STAND PUMP)

**TYPE H** (WITH INTEGRAL HANDPUMP)



# PORTABLE MASTS

## SMALL Ø SIZE 66mm Base Tube Diameter

### CP 54: INTERNAL CABLE POSSIBLE? **No**

Ø 66 mm		4 sections						
CP 54		11	12	13	14	15	16	
Code P/H	extended height	m	2.963	3.483	3.963	4.483	5.103	5.923
	retracted height	m	1.070	1.200	1.320	1.450	1.620	1.810
	max. top load	kg	16	15	15	14	13	12
	weight	kg Cod. P / H kg	6	6,5	7	7,5	8	9
	max. allowed wind speed	km / h with max. surface: 0,2 m <sup>2</sup>	120	110	100	90	85	75
	Ø top section		45 mm					
Example	CP 5416 H	pneumatic - with hand pump and locking 4 sections						

### CP 56: INTERNAL CABLE POSSIBLE? **No**

Ø 66 mm		6 sections								
CP 56		01	02	03	04	05	06	07	08	
Code P/H	extended height	m	3.420	3.930	4.490	5.230	5.980	7.016	7.930	9.080
	retracted height	m	1.000	1.085	1.170	1.335	1.460	1.616	1.835	1.960
	max. top load	kg	9	9	9	8	8	7	7	6
	weight	kg Cod. P / H kg	7,0	7,5	8	8,5	9	10	11	11,5
	max. allowed wind speed	km / h	105	95	85	75	65	110	95	80
	with max. surface		0,2 m <sup>2</sup>					0,1 m <sup>2</sup>		
Ø top section		31 mm								

⚠ Please contact us for accurate deflection chart and windage data. The windspeeds above are examples only.