

## PORTABLE MASTS

CATEGORY

# SMALL Ø SIZE

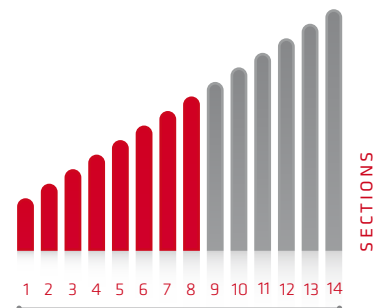
# 80mm BaseTube Diameter

PRODUCT CODES: CO 54 - CO 58

INTERNAL CABLE POSSIBLE? **No**

**Prior to selecting equipment, it would be useful if you could obtain the following information...**

- Required mast height when extended
- Required mast height when retracted
- Headload weight
- Headload dimensions
- Headload shape
- Mast deployment location (+ anticipated weather conditions)
- Ground conditions/Terrain
- Mast deployment method
- Transportation method (i.e. vehicle size and type)
- Cabling requirements



This mast has a diameter of 80mm.  
The extended heights are from 4m up to 16m and the mast can be equipped with a hand pump.  
Each collar has a built in clamp to allow semi-permanent extension and prevent turning of the sections.  
The mast head has a Ø24mm female quick release connection for mounting a variety of headloads.



**PORTABLE MASTS**

**SMALL Ø SIZE 80mm Base Tube Diameter**

TECHNICAL LAYOUT

PRODUCT CODES: CO 54 - CO 58

INTERNAL CABLE POSSIBLE? **No**

A (mm)

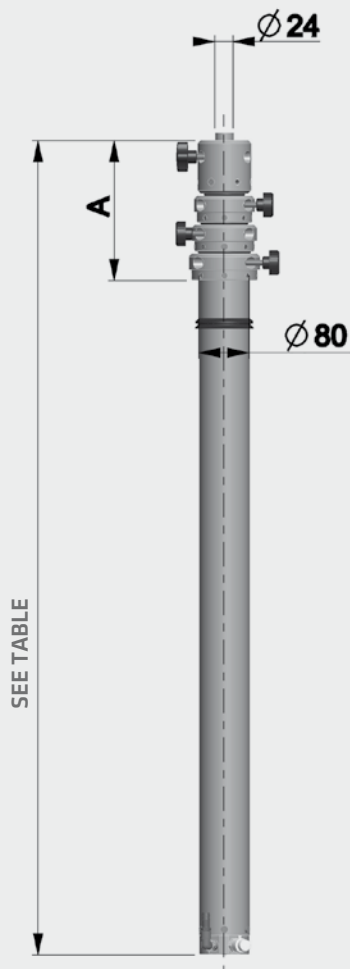
4 sections 184

6 sections 260

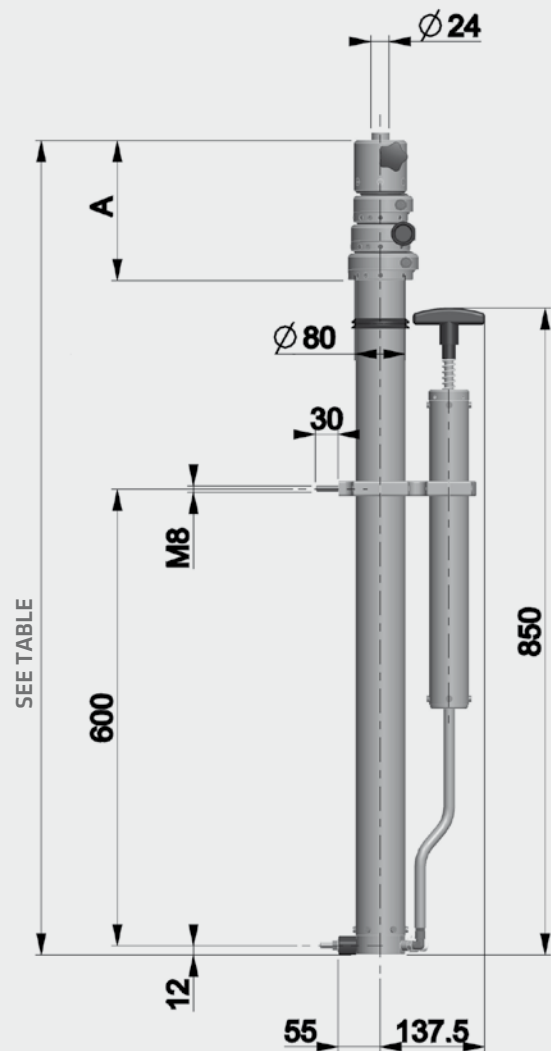
7 sections 298

8 sections 336

**TYPE P** (EXTENDED MANUALLY, WITH COMPRESSOR OR SEPARATE STAND PUMP)



**TYPE H** (WITH INTEGRAL HANDPUMP)



**PORTABLE MASTS****SMALL Ø SIZE 80mm Base Tube Diameter****CO 54: INTERNAL CABLE POSSIBLE? No**

		Ø 80 mm	4 sections		
		CO 54	26	27	28
Code P/H	extended height	m	4.983	5.923	6.923
	retracted height	m	1.650	1.810	2.060
	max. top load	kg	24	23	20
	weight	kg Cod. P/H kg	10,5	11,5	12,5
	max. allowed wind speed	km / h with max. surface: 0,1 m <sup>2</sup>	115	100	85
	Ø top section		59 mm		
	Example	CO.5426.H	pneumatic - with hand pump and locking 4 sections - without cable		

**CO 56: INTERNAL CABLE POSSIBLE? No**

		Ø 80 mm	6 sections							
		CO 56	16	17	18	19	20	21	22	23
Code P/H	extended height	m	5.010	6.005	6.995	7.930	8.870	10.120	10.970	12.020
	retracted height	m	1.290	1.460	1.625	1.835	1.950	2.200	2.550	2.800
	max. top load	kg	18	16	16	14	13	11	10	10
	weight	kg Cod. P/H kg	11	12	13	14,5	15	16,5	19	20,5
	max. allowed wind speed*	km / h	110	90	75	160	150	135	120	105
	with max. surface 0,1 m <sup>2</sup>		guyed							
	Ø top section		45 mm							
			Guy lines to be fitted to the second to top section							

⚠ Please contact us for accurate deflection charts and windage data. The wind speeds above are examples only.

\* When erecting masts with guying ropes, take extreme care during the extension phase. Maximum allowed wind speed during extension is 20km/h

# PORTABLE MASTS

## SMALL Ø SIZE 80mm Base Tube Diameter

### CO 57: INTERNAL CABLE POSSIBLE? No

		Ø 80 mm	7 sections					
		CO 57	01	02	03	04	05	06
Code P/H	extended height	m	5.033	6.013	7.034	8.023	9.003	10.018
	retracted height	m	1.220	1.360	1.523	1.690	1.830	1.975
	max. top load	kg	12	12	11	9	9	8
	weight	kg Cod. P / H kg	11,5	12,4	13,5	14,8	15,7	16,7
	max. allowed wind speed*	km / h	105	90	75	155	140	125
	with max. surface 0,1 m <sup>2</sup>		guyed					
	Ø top section		38 mm Guy lines to be fitted to the second to top section					

### CO 57: INTERNAL CABLE POSSIBLE? No

		Ø 80 mm	7 sections					
		CO 57	07	08	09	10	11	12
Code P/H	extended height	m	11.013	12.028	13.023	14.003	15.018	16.663
	retracted height	m	2.160	2.305	2.490	2.630	2.775	3.070
	max. top load	kg	8	7	6	5	5	4
	weight	kg Cod. P / H kg	18,1	19,1	20	20,8	22	24
	max. allowed wind speed*	km / h	110	95	130	115	100	80
	with max. surface 0,1 m <sup>2</sup>		guyed					
	Ø top section		38 mm Guy lines to be fitted to the second to top section 2 Levels of guying rings					

⚠ Please contact us for deflection charts and windage data. The wind speeds above are examples only.

\* When erecting masts with guying ropes, take extreme care during the extension phase. Maximum allowed wind speed during extension is 20km/h

**PORTABLE MASTS****SMALL Ø SIZE 80mm Base Tube Diameter****CO 58: INTERNAL CABLE POSSIBLE? No**

Ø 80 mm		8 sections						
CO 58		01	02	03	04	05	06	
Code P/H	extended height	m	5.799	6.999	8.009	9.011	10.529	11.979
	retracted height	m	1.200	1.420	1.590	1.715	1.940	2.130
	max. top load	kg	9	9	7	7	6	6
	weight	kg Cod. P / H kg	11,6	13,4	14,8	15,7	17,5	18,9
	max. allowed wind speed*	km / h	90	70	140	125	100	80
	with max. surface 0,1 m <sup>2</sup>		guyed					
	Ø top section		31 mm Guy lines to be fitted to the second to top section					
	Example	CO.5805.H	pneumatic - with hand pump and locking 8 sections - without cable					

 Please contact us for accurate deflection charts and windage data. The wind speeds above are examples only.

\*When erecting masts with guying ropes, take extreme care during the extension phase. Maximum allowed wind speed during extension is 20km/h