

CATEGORY

MEDIUM ØSIZE

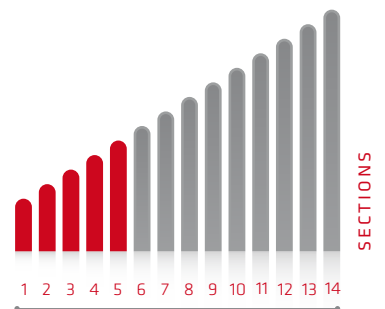
80mm Base Tube Diameter

PRODUCT CODES: CO 52 - CO 55

INTERNAL CABLE POSSIBLE? **Yes**

Prior to selecting equipment, it would be useful if you could obtain the following information...

- Required mast height when extended
- Required mast height when retracted
- Headload weight
- Headload dimensions
- Headload shape
- Mast deployment location (+ anticipated weather conditions)
- Ground conditions/Terrain
- Cabling requirements



This mast has a diameter of 80mm. The extended heights are from 2m up to 6m and the mast can be equipped with a hand pump.

Each collar has a built-in clamp to allow semi-permanent extension and prevent turning of the sections.

The mast head has a Ø24mm quick release female socket connection. An optional electrical socket and plug can be supplied for connecting 12v, 24v, 110v or other electrical items.



APPLICATIONS

PORTABLE MASTS

SMALL Ø SIZE

80mm Base Tube Diameter

TECHNICAL LAYOUT

PRODUCT CODES: CO 52 - CO 55

INTERNAL CABLE POSSIBLE? **Yes**

A (mm)

2 sections 115

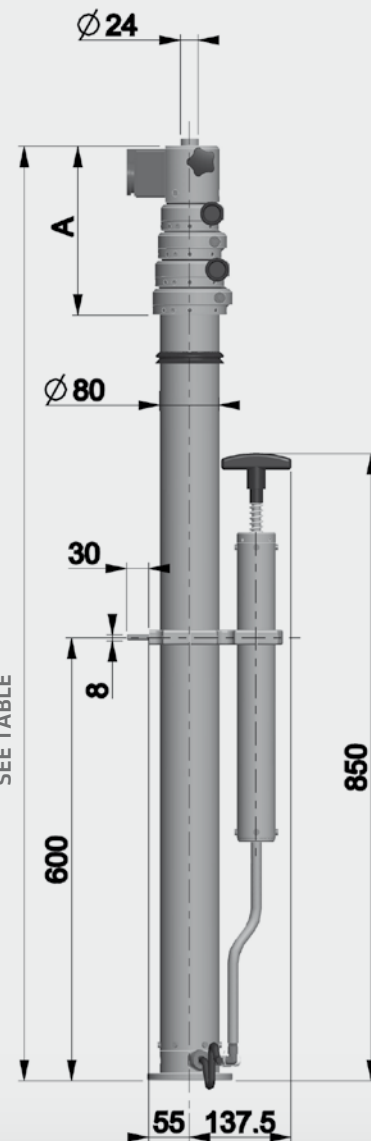
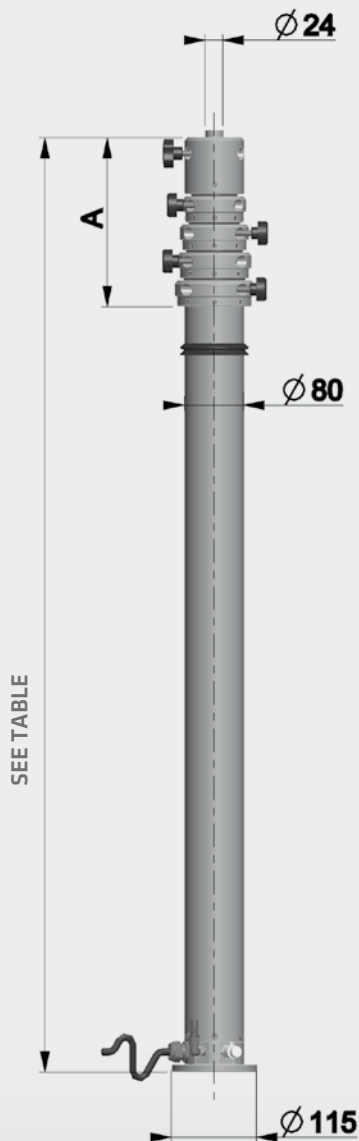
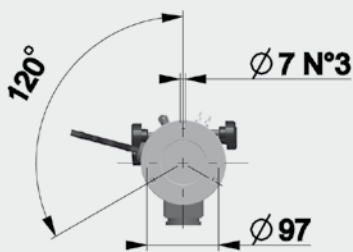
3 sections 153

4 sections 191

5 sections 229

TYPE P (EXTENDED MANUALLY, WITH COMPRESSOR OR SEPARATE STAND PUMP)

TYPE H (WITH INTEGRAL HANDPUMP)



PORTABLE MASTS**SMALL Ø SIZE 80mm Base Tube Diameter****CO 52: INTERNAL CABLE POSSIBLE? Yes**

		Ø 80 mm	2 sections		
		CO 52	21	22	23
Code P/H	extended height	m	2.000	2.470	2.960
	retracted height	m	1.185	1.435	1.685
internal spiralled cable		Standard 4 x 1,5 mm ² Cod. B optional Cod. H			
	max. top load	kg	30	30	30
	weight	kg Cod. P / H kg	6	6,5	7
	max. allowed wind speed	km / h with max. surface: 0,5 m ²	155	140	130

CO 53: INTERNAL CABLE POSSIBLE? Yes

		Ø 80 mm	3 sections			
		CO 53	11	12	13	14
Code P/H	extended height	m	2.473	3.004	3.473	3.964
	retracted height	m	1.120	1.287	1.480	1.647
internal spiralled cable		Standard 4 x 1,5 mm ² Cod. B optional Cod. H				
	max. top load	kg	28	28	28	28
	weight	kg Cod. P / H kg	7	7,5	8	8,5
	max. allowed wind speed	km / h with max. surface: 0,4 m ²	135	120	110	100

CO 54: INTERNAL CABLE POSSIBLE? Yes

		Ø 80 mm	4 sections			
		CO 54	36	37	38	39
Code P/H	extended height	m	3.499	3.909	4.499	4.939
	retracted height	m	1.240	1.380	1.535	1.675
internal spiralled cable		Standard 4 x 1,5 mm ² Code B optional Cod. H				
	max. top load	kg	26	25	24	23
	weight	kg Cod. P / H kg	8,5	9	9,5	10
	max. allowed wind speed	km / h with max. surface: 0,3 m ²	115	105	95	90

CO 55: INTERNAL CABLE POSSIBLE? Yes

		Ø 80 mm	5 sections				
		CO 55	11	12	13	14	15
Code P/H	extended height	m	4.000	4.448	5.000	5.500	6.000
	retracted height	m	1.266	1.374	1.498	1.606	1.714
internal spiralled cable		Standard 4 x 1,5 mm ² Cod. B optional Cod. H					
	max. top load	kg	22	22	21	21	20
	weight	kg Cod. P / H kg	9,5	10	10,5	11	11,5
	max. allowed wind speed	km / h with max. surface: 0,2 m ²	115	105	95	90	85

▲ Please contact us for deflection charts and windage data. The wind speeds above are examples only.